

1-160 Quarter-Turn L20

Tool operable, Flush design, Optional installation methods

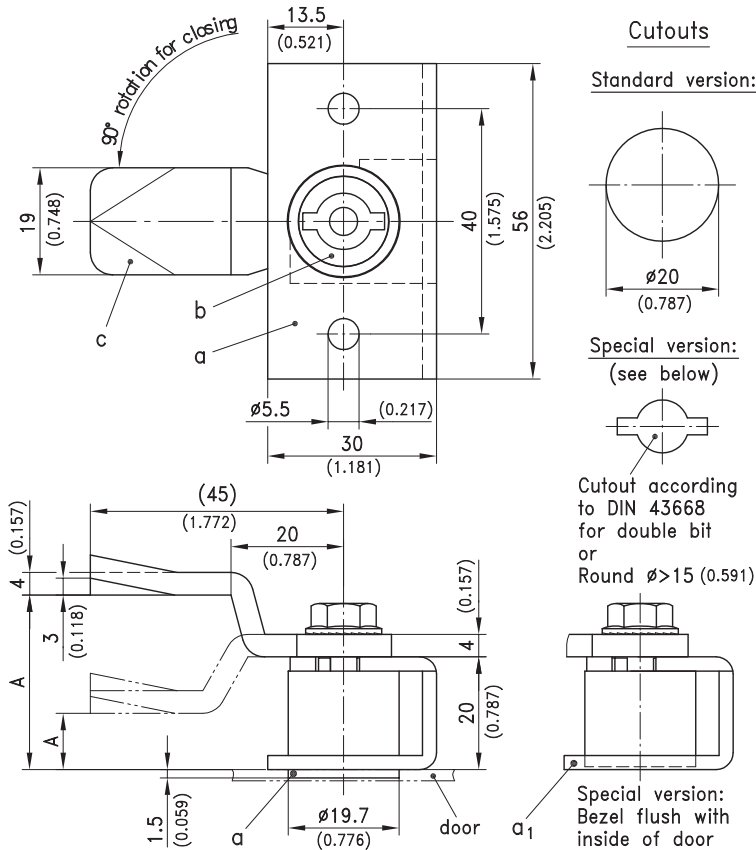
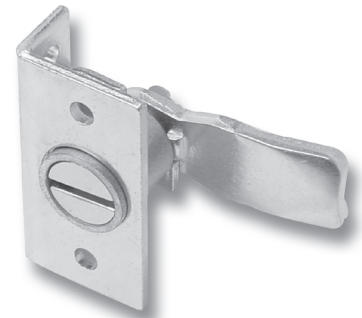


Product Notes:

- Flush design with no protrusion on the outside of the panel
- Fasten to panel by screw, weld or rivet
- RH and LH versions available

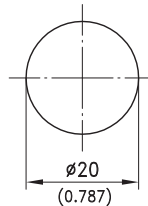
Material:

- **Housing:** Steel, Zinc Plated
- **Bezel:** Zinc Die, Untreated
- **Insert:** Zinc Die, Chrome Plated
- **Cam:** Steel, Zinc Plated



Cutouts

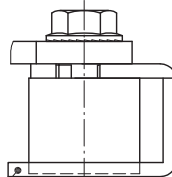
Standard version:



Special version:
(see below)



Cutout according to DIN 43668 for double bit or Round $\phi > 15$ (0.591)



Special version:
Bezel flush with inside of door

a) Housing with bezel	Part No.	See Page
RH version	200-9036	
LH version	200-9037	
a1) Housing with bezel flush		
RH version	100-9010	
LH version	100-9011	
b) Insert e.g.		
Square 6mm	200-9101	
Square 7mm	200-9102	
Square 8mm	200-9103	
Square 8mm slotted	200-9111	
Triangular 7mm	200-9104	
Triangular 8mm	200-9105	
Double bit 3mm pin	200-9107	
Double bit 5mm pin	200-9108	
Socket hex. 10mm	200-9112	
Daimler Benz type	200-9109	
Slotted 2x4mm	200-9113	
Additional inserts		01.98

c) Cam L45					
A	Part No.	A	Part No.	See Page	
mm / inch		mm / inch			
4 / 0.157	200-0402	32 / 1.260	200-0430		
6 / 0.236	200-0404	34 / 1.339	200-0432		
8 / 0.315	200-0406	36 / 1.417	200-0434		
10 / 0.394	200-0408	37 / 1.457	200-0435		
12 / 0.472	200-0410	38 / 1.496	200-0436		
15 / 0.590	200-0413	40 / 1.575	200-0438		
16 / 0.630	200-0414	42 / 1.654	200-0440		
18 / 0.709	200-0416	44 / 1.732	200-0442		
20 / 0.787	200-0418	46 / 1.811	200-0444		
22 / 0.866	200-0420	47 / 1.850	200-0445		
24 / 0.945	200-0422	49 / 1.929	200-0447		
26 / 1.024	200-0424	52 / 2.047	200-0450		
27 / 1.063	200-0425	55 / 2.165	200-0453		
28 / 1.102	200-0426	57 / 2.244	200-0455		
30 / 1.181	200-0428				

Additional cams	01.101, 01.102
Optional:	
d) Assembling of cam	200-0001